



JADAK™

FM-204 Fixed Mount 2D Imager

The FM-204 is a product designed for use in OEM products or environments needing a small, fixed position bar code scanner to read linear, stacked linear (PDF417), and/or 2D/Matrix bar codes. With omnidirectional scanning, no moving parts, no safety labeling requirements, and additional non-barcode functionality, the FM-204 is perfect for clinical and diagnostic applications, kiosk applications, age verification, gas pumps, cash register type terminals, and more.

Multi-Functional

More than just a bar code scanner, the FM-204 provides image capture functions that can be used for a wide range of applications such as image / shape recognition, signature capture, image capture, embedded machine vision and Optical Character Recognition (OCR).

Buy It Once

Powered by Adaptus™ 2D Imaging Technology, the FM-204 is future-proof. This means that, in addition to providing industry leading performance on existing linear, stacked linear, and 2D/Matrix bar codes, the FM-204 has the technology required to read barcodes that *aren't even invented yet*. The FM-204 will give you the peace of mind knowing that you installed a product that eliminates the need to purchase new product in the future.

Setup Is Easy

With no external decoders or illumination required, the FM-204 is all the hardware you need. The FM-204 communicates USB (Comm. Port of Keyboard Emulation) or RS-232 protocol via detachable interface cables.

Programming the FM-204 is easy and can be done through a PC program, Serial Commands, Bar Code Programming Manual, or by a single Configuration Bar Code that contains all your settings.



For OEM applications requiring more than off-the-shelf products, JADAK's "Concepts Without Risk" process offers customer an easy path for customization and integration services for the FM-204. Contact JADAK for more information on how we can help.



powered by
Adaptus®
imaging technology 5.0



>> Features & Benefits

Powered by Adaptus™

Industry leading scanning and decoding technology automatically scans and discriminates current and future popular barcode types.

Omni-directional Scanning/Decoding

True 360 degree scanning and decoding eliminates user training issues and enables the use of efficient Matrix bar codes.

No Moving Parts

Solid-state electronics means that there are no moving parts to break, come out of alignment, or wear.

LED Based Illumination

Safe illumination source doesn't require safety or warning labels to be placed on the outside of customers product.

Red or Green Illumination Options and software settings allows for flexible target/aiming options to fit application needs.

Small Form Factor

Makes mounting and integration easy.

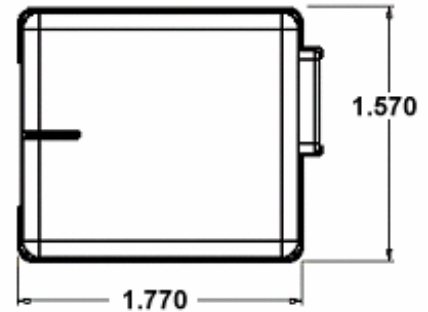
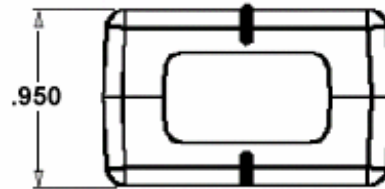
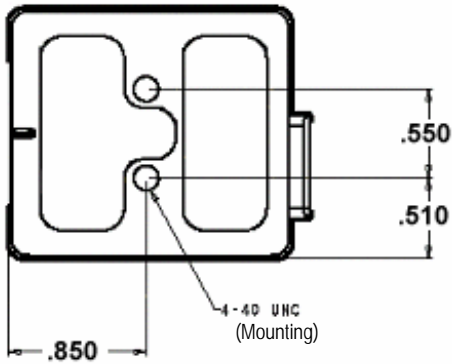


CONCEPTS WITHOUT RISK



JADAK™

Product Specifications



>> Scanning

- Scans & Decodes Most Popular Bar Code Symbols:
 - Linear: Code 39, Code 128, UPC, Interleaved 2 of 5
 - Stacked Linear: PDF417, RSS Codes
 - Matrix: Aztec, Data Matrix, Maxicode, QR Code
 - OCR A & B
 - Postal Codes
- Red LED Illumination
- Green LED Aiming Line
- Captures 8-Bit Grayscale image, 752 x 480 Pixels

>> Electrical

- Communications:
 - RS-232 up to 115.2K baud
 - USB (Keyboard or COMM Port)
- I/O: 5VDC Trigger Input
- Power Supply: 5VDC Input
- Peak Current: 500mA (Note: can be reduced depending on configuration and settings)

>> Environmental

- Operating Temperature: 32° F to 122° F (0° to 50°C)
- Relative Humidity: 95% RH non-condensing, at +50°C
- Designed to meet FCC Class A and CE specifications
- RoHS and WEEE compliant

>> Warranty

The FM-204 is covered by a 1-year warranty

>> Accessories

- Interface Cables (RS-232 and USB)
- Custom Mounting Brackets
- Custom Housing Colors and Artwork
- IP 54 Housing/Cable (Call for availability)
- Other customization and integration services available

>> Contact Information

For more information about the FM-204, custom services, and other products that JADAK offers, contact us at:

株式会社サイレンスネット

〒222-0033 横浜市港北区新横浜2-5-9
新横浜フジカビル

tel. 045-475-1555 fax. 045-475-3275
www.silencenet.com



JADAK™

7279 William Barry Blvd.
North Syracuse, NY 13212

All specifications subject to change without notice.

Rev 1.3 11/07



CONCEPTS WITHOUT RISK