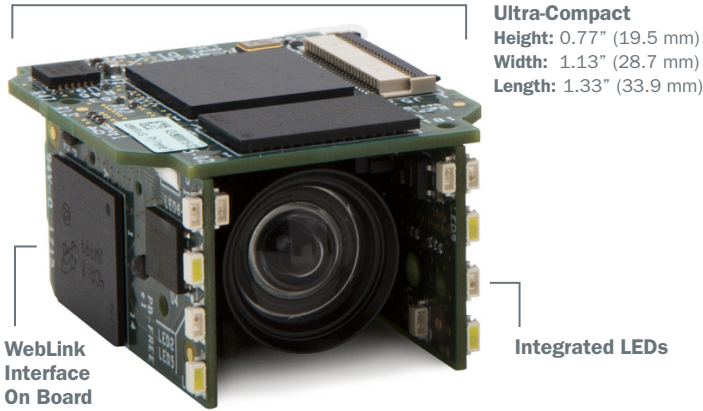


MICROHAWK ENGINE

Modular OEM Barcode Imaging Engine

MicroHAWK offers OEMs and machine builders the industry's smallest, most powerful, modular, and scalable auto ID platform available for solving the toughest 1D/2D barcode reading challenges.

The design of the MicroHAWK Engine builds upon Microscan's 30+ years of experience working with the world's largest OEMs. MicroHAWK offers practically limitless combinations of optics, sensors, decoders, and processing performance to meet any OEM barcode reading requirement. Extremely small, powerful, and simple – MicroHAWK is the ideal solution for your embedded application.



AT A GLANCE

- Ultra-compact (19.5 mm x 28.7 mm x 33.9 mm)
- USB 2.0 High Speed communication
- X-Mode advanced decoding algorithms
- Integrated targeting and read/pass indicators
- Red and white high-output LED illumination



WebLink Interface: Browser-based configuration tool enables quick and easy reader setup, with no need to install software or access host files.

For more information on this product, visit www.microscan.com.

Ultra-Compact

Measuring just 19.5 mm x 28.7 mm x 33.9 mm and weighing less than 14 g, the MicroHAWK Engine is intended for use in robotic equipment and for mounting in the smallest spaces.

Extremely Powerful

Built around an ultra-fast microprocessor, MicroHAWK easily solves application challenges ranging from simple barcode reading to direct part mark (DPM) applications.

No Software Required

The streamlined WebLink product setup tool requires no software installation and features an intuitive interface for novice users.

Reliability and Longevity

MicroHAWK delivers both reliability and high performance with the assurance of long-term availability and support. Microscan has served the OEM/Embedded market for over 30 years and we have a sophisticated understanding of the service and support required for the lifecycle of your machine.

Application Examples

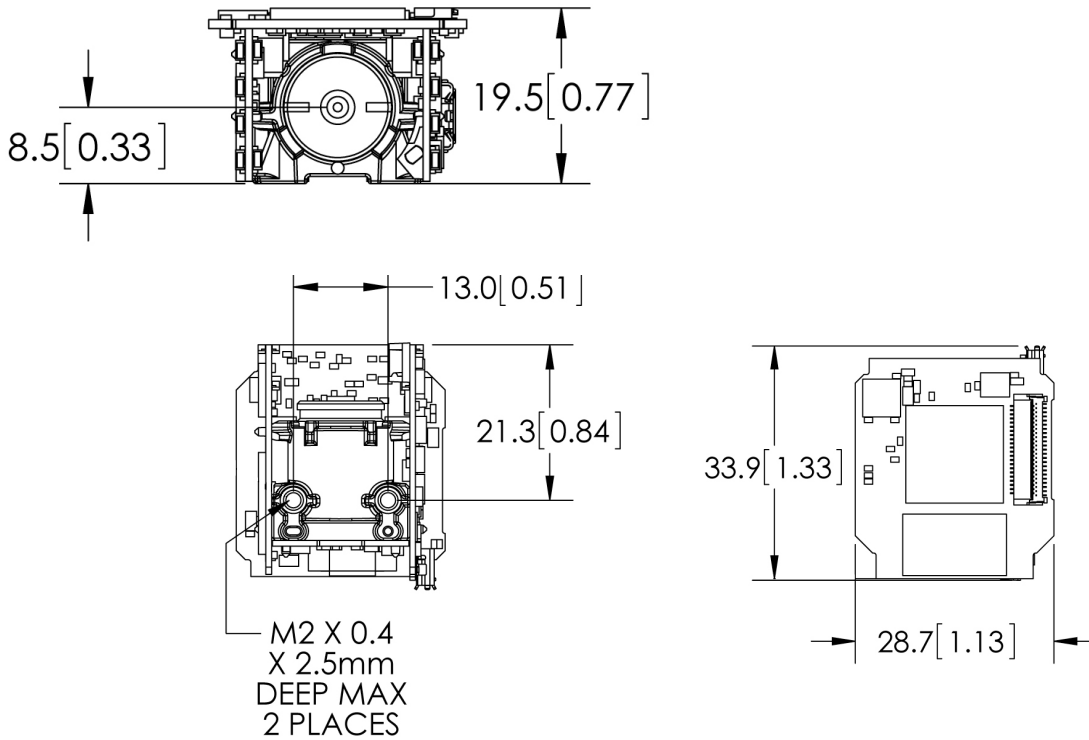
- Life sciences and clinical instrumentation
- Laboratory automation and dispensing
- Electronics assembly and test
- Kiosk and ticketing
- Document handling
- Print and labeling

AVAILABLE SYMBOLOGIES

Linear	All Standard	Postal Codes		
Stacked	Micro PDF417	PDF417	GS1 Databar	
2D	Data Matrix	QR Code	Micro QR Code	Aztec

MICROHAWK™ ENGINE SPECIFICATIONS AND OPTIONS

ENGINE DIMENSIONS



Note: Millimeters [Inches]. Nominal dimensions shown. Typical tolerances apply.

MECHANICAL

Height: 19.5 mm (0.77")
Width: 28.7 mm (1.13")
Length: 33.9 mm (1.33")
Weight: 14 g (0.49 oz.)

ENVIRONMENTAL

Operating Temperature: 0° to 40° C (32° to 104° F)
Humidity: 5% to 95% (non-condensing)

SENSOR OPTIONS

Progressive scan, square pixel.
Shutter: Software adjustable 10 µs to 16.7 ms
Shutter Type: Global (WVGA, SXGA), Rolling (QSXGA)
Sensor: 1/3 inch
WVGA: CMOS 752 x 480 pixels
SXGA: CMOS 1280 x 960 pixels
QSXGA (Color): CMOS 2592 x 1944 pixels

IMAGING RATES

WVGA: Up to 60 full frames per second
SXGA: Up to 42 full frames per second
QSXGA: Up to 5 full frames per second

COMMUNICATION PROTOCOLS

Interface: USB 2.0 High Speed

CONNECTOR

Type: Micro-USB Type B socket
 Second USB port on ZIF connector
 (Refer to the *MicroHAWK Engine Integration Guide* for ZIF connector pin assignments.)

SYMBOLOGIES

2D Symbologies: Data Matrix (ECC 0-200), QR Code, Micro QR Code, Aztec Code
Stacked Symbologies: PDF417, Micro-PDF417, GS1 Databar (Composite and Stacked)
Linear Barcodes: Code 39, Code 128, BC412, Interleaved 2 of 5, UPC/EAN, Codabar, Code 93, Pharmacode, PLANET, POSTNET, Japanese Post, Australian Post, Royal Mail, Intelligent Mail, KIX

LIGHT SOURCE

Type: High-output LEDs: 4 Red (625nm), 4 White, 2 Blue (Target Pattern), 2 Green (Green Flash on Good Read)

INDICATORS

LEDs: Power
Blue V: Target Pattern
Green Flash: Good Read/Pass

ELECTRICAL

Power: 5VDC ± 5%; 350mA at 5VDC (typ.)

MEMORY

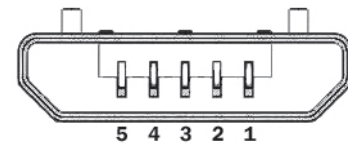
2GB non-volatile FLASH, 256MB RAM

CE STANDARDS

Emissions: EN 55022:2010 Class A Limits

PIN ASSIGNMENTS

Micro-USB Type B Socket



No.	Function
1	Vbus (5V)
2	D-
3	D+
4	NC
5	Ground

SAFETY CERTIFICATIONS DESIGNED FOR
 FCC, CE, UL (Pending)

ROHS COMPLIANT

QMS CERTIFICATION

www.microscan.com/quality

©2015 Microscan Systems, Inc. SP088A-EN-0915

Warranty – For current warranty information about this product, please visit www.microscan.com/warranty.

MICROSCAN®
www.microscan.com