

# NERLITE® CDI®

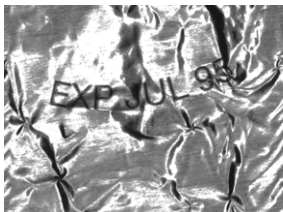


## CDI: At a Glance

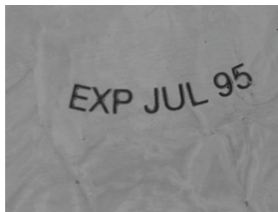
- Outstanding uniformity
- Self-contained cloudy day lighting for highly complex applications
- Makes glass and clear plastic container surfaces disappear
- Ideal for extremely difficult specular surfaces

## Illumination Example:

Object



Resulting Image



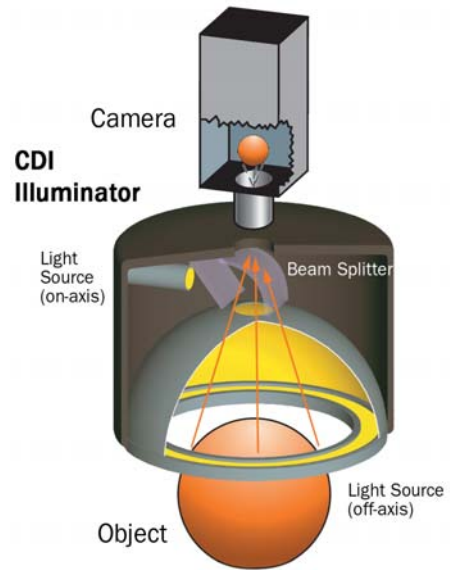
**Wrinkled foil pouch:** Image captured clearly shows date and lot code.

For more information on this product, visit [www.microscan.com](http://www.microscan.com).

## Cloudy Day Illuminator

Microscan's wide range of NERLITE products can illuminate any part or mark for successful machine vision and auto ID applications.

CDI illuminators provide extraordinary diffuse lighting performance for critical applications. The patented design makes it ideal for inspecting highly faceted and undulating reflective surfaces. CDI illumination allows products to be inspected in the package, including blister-packaged pharmaceutical products or computer chips inside of a clear packaging tube.



## Application Examples

- Differentiate specular, diffuse, or absorptive features on bumpy/wrinkled surfaces
- Reduce shadows
- Diminish clear overcoats or coverings
- CD/DVD artwork verification
- Packaged product inspection (pharmaceuticals, computer chips)

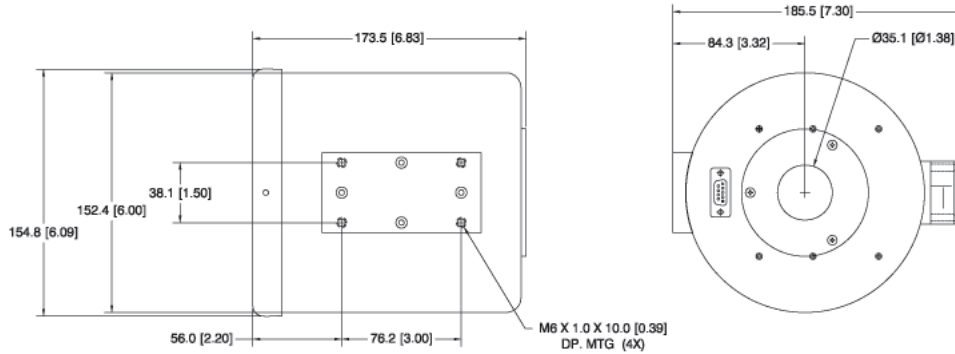
**MICROSCAN®**

# NERLITE® CDI® SPECIFICATIONS AND OPTIONS

## CDI 150/25

DESCRIPTION	nm/K	CONT. CURRENT			LUX
		ON AXIS LIGHTING	OFF AXIS LIGHTING	FAN	
CDI-150/25, Red Continuous	636 nm	240 mA	80 mA	62 mA	482
CDI-150/25, White Continuous	6500 K	480 mA	160 mA	62 mA	964

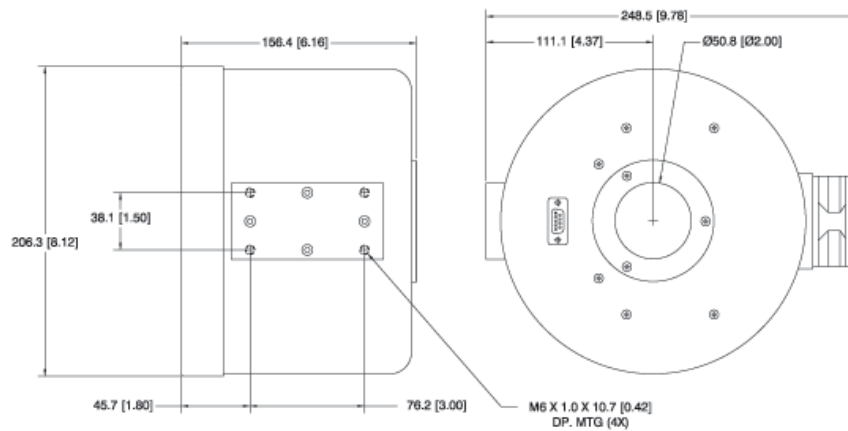
**Light Aperture:** 4" (102 mm) diameter **Field of View:** 1" (25 mm)  
**Stand Off:** 0.50" (13 mm) **Weight:** 40 oz. (1141 g)  
**Dimensions:** H 6.09" (154.8 mm) x W 7.3" (185.5 mm) x D 6.83" (173.5 mm)



## CDI 200/75

DESCRIPTION	nm/K	CONT. CURRENT			LUX
		ON AXIS LIGHTING	OFF AXIS LIGHTING	FAN	
CDI-200/75, Red Continuous	636 nm	300 mA	380 mA	100 mA	1300
CDI-200/75, White Continuous	6500 K	600 mA	760 mA	100 mA	2600

**Light Aperture:** 5.2" (132 mm) diameter **Field of View:** 3" (75 mm)  
**Stand Off:** 1" (25 mm) **Weight:** 56 oz. (1597 g)  
**Dimensions:** H 8.12" (206.3 mm) x W 9.78" (248.5 mm) x D 6.16" (156.4 mm)



### ENVIRONMENTAL

**Operating Temperature:** 0° to 40° C (32° to 104° F)  
**Storage Temperature:** 0° to 50° C (32° to 122° F)  
**Humidity:** up to 95% (non-condensing)

### LIGHTING PARAMETERS

**Light Aperture Defined:** Area of light output from the coaxial illuminator.

### LIGHT SOURCE

**Type:** High output LEDs  
**Light Output:** Lux (lumens per square meter)  
**Expected Life:** 50,000 hours (Red LEDs)  
**Expected Life:** 10,000 hours (White LEDs)  
**Eye Safety:** EN 60825-1: Class 1

### CONNECTOR

**Type:** DB9 female panel mount, 15ft (4.5M) DB9 male to flying leads cable included

### ELECTRICAL

**Power:** 24 VDC +/- 1%

### CE COMPLIANT

### ISO CERTIFICATION

Certified ISO 9001:2008 Quality Management System

©2010 Microscan Systems, Inc. SP054A 01/10  
 Microscan Applications Engineering is available to assist with evaluations. Results may vary depending on symbol quality. **Warranty**—One year limited warranty on parts and labor. Free extended three year warranty available with online product registration.

# MICROSCAN®

Microscan Systems Inc.

株式会社サイレンスネット

〒222-0033 横浜市港北区新横浜2-5-9  
 新横浜フジカビル  
 tel. 045-475-1555 fax. 045-475-3275  
[www.silencenet.com](http://www.silencenet.com)