

## [ Products ] you can identify with



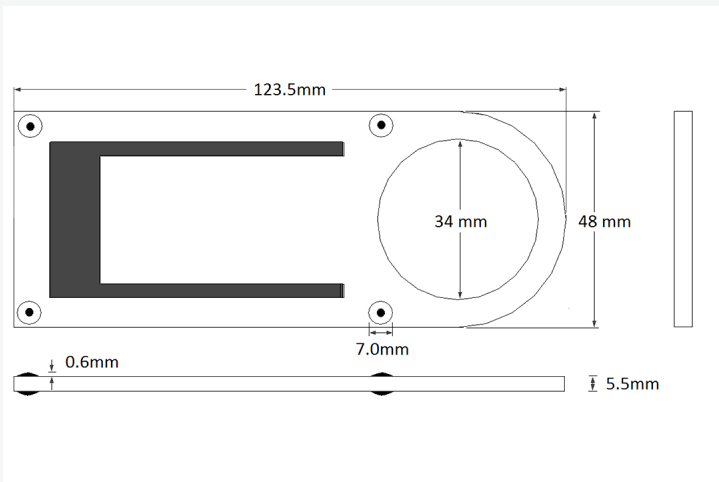
### Adept 360

The Omni-ID Adept 360° is a UHF RFID tag for the most harsh environmental applications. The tag is encased in an industrial steel frame with a tether attachment designed to meet the needs of oil and gas users and other heavy industry applications. The Omni-ID 360° is available with a range of options including a surface etching/printing finishing option and a dual technology option.

#### Physical Specifications

<b>Material</b>	Steel frame
<b>Size</b>	136.5 x 48 x 5.5 (+/- 1) mm 5.4 x 1.9 x 0.217 (+/-0.04) in
<b>Weight (g)</b>	126
<b>Attachment</b>	Tether hole

#### Dimensions



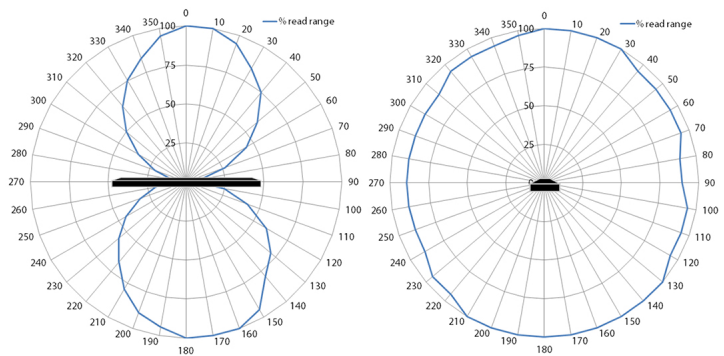
Measurements shown in mm

#### RF Specification

<b>Radio Protocol</b>	EPC Class 1 Gen2v2, ISO 15693 (option)
<b>Frequency Range</b>	860 - 930 (GS)
<b>Read Range - Fixed Reader</b>	Up to 10m (32.8 feet)
<b>Read Range - Handheld Reader</b>	Up to 5m (16.5 feet)
<b>IC Type (Chip)</b>	Alien Higgs 3
<b>Memory</b>	EPC - 96 bits User - 512 bits Unique TID - 64 bits

EPC and User memory are reprogrammable. UTID is locked at point of manufacture by IC manufacturer.

#### Radiation Patterns



## [ Products ] you can identify with



With its steel framework, 360° read angle and long read range the Omni-ID Adept 360° is ideal in heavy industry applications for tracking:

- Slings
- Heavy machinery
- Shackles

### Environmental Specifications

<b>Long term Max Temperature exposure</b>	+120°C
<b>Short term Max Temperature exposure</b>	+140°C
<b>IP Rating</b>	IP68
<b>Shock &amp; Vibration Tolerance</b>	MIL-STD-810 F
<b>Impact</b>	25kg from 1m

### Certifications

CE, RoHS, ATEX/IECEX certified (option), US&Canada (C1D1/D2) certified (option)



### Ordering Information

<b>Warranty</b>	1 year
<b>Product Options</b>	:304 (ATEX/IECEX certified) :305 (HF module) :307 (US&Canada (C1D1/D2) certified) :704 (Single side print) :705 (Double side print)

**Part Number / Order Codes / Order Numbers** CP08494-01, CP08855-01

株式会社サイレンスネット [www.silencenet.com](http://www.silencenet.com)

〒222-0033 横浜市港北区新横浜2-5-9 新横浜フジカビル tel. 045-475-1555 fax. 045-475-3275