

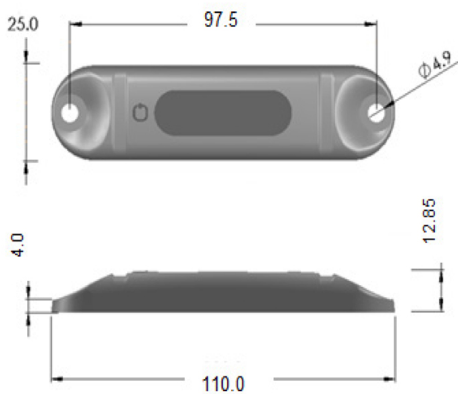
[Products] you can identify with



Physical Specifications

Material	Grey ABS rigid plastic
Size	110 x 25 x 12.85 mm 4.33 x 0.98 x 0.51 in
Weight (g)	26
Attachment	Mechanical (std), cable tie, premium foam (option)

Dimensions



Measurements shown in mm

Exo 800

Omni-ID Exo 800 is long range passive UHF RFID tag capable of reading on, off, and near metal surfaces. Designed in a surprisingly small form factor, the Omni-ID Exo 800 features a rugged design for long term use in outdoor and industrial environments. New to the Exo 800 is a customization option for a transparent tag that provides full protection for printing within the tag case.

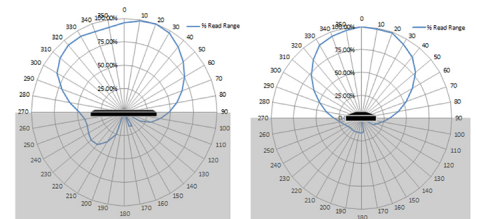
RF Specification

Radio Protocol	EPC Class 1 Gen2v2
Frequency Range	860 - 930 (GS)
Read Range - Fixed Reader	Up to 8m (on metal), Up to 6m (off metal)
Read Range - Handheld Reader	Up to 4m (on metal), Up to 3m (off metal)
On Metal or Balanced	Optimized for metal
IC Type (Chip)	Impinj Monza 4QT
Memory	EPC - 128 bits User - 512 bits Unique TID - 48 bits

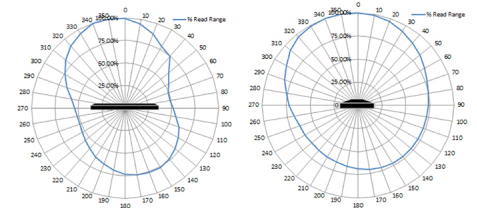
EPC and User memory are reprogrammable. UTID is locked at point of manufacture by IC manufacturer.

Radiation Patterns

On Metal



On Plastic



[Products] you can identify with



With a long read range and high durability, the Omni-ID Exo 800 is ideally suited to:

- Manufacturing tote tracking
- Retail supply chain
- Logistics and Postal

Environmental Specifications

Operating Temperature	-40°C to +65°C
Survivability	-40°C to +65°C
Max Temperature Exposure	-40°C to +65°C
IP Rating	IP68
Shock & Vibration Tolerance	MIL-STD-810 G
Impact	10KG from 1m

Ordering Information

Product Options	:303 (Customization)
	:304 (ATEX/IECEX certified)
	:307 (US&Canada (C1D1/D2) certified)
	:332 (Transparent case)
	:508 (Premium foam)
	:701 (Standard Service Bureau)
Part Number / Order Codes / Order Numbers	077- GS

Certifications

CE, RoHS, Ex, ATEX/IECEX certified (option), US&Canada (C1D1/D2) certified (option)



株式会社サイレンスネット www.silencenet.com

〒222-0033 横浜市港北区新横浜2-5-9 新横浜フジカビル tel. 045-475-1555 fax. 045-475-3275