

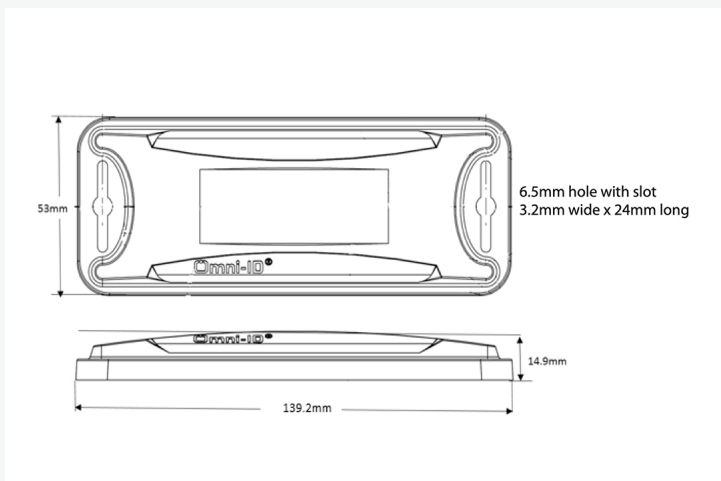
## [ Products ] you can identify with



### Physical Specifications

<b>Material</b>	PC ABS blend
<b>Size</b>	139.2 x 53 x 14.9 (+/- 1) mm 5.36 x 2.09 x 0.59 (+/- 0.04) in
<b>Weight (g)</b>	64
<b>Attachment</b>	Mechanical (standard) or premium foam (option)

### Dimensions



Measurements shown in mm

## Exo 2000

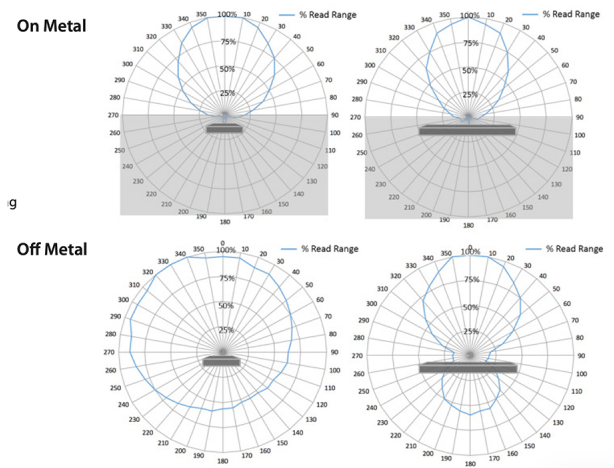
Omni-ID Exo 2000 is the most durable tag offering long read ranges across all geographies. Designed with heavy industry in mind, the Omni-ID Exo 2000 features extreme impact resistance and high temperature ratings, enabling it to be deployed in outdoor heavy industry environments anywhere in the world.

### RF Specification

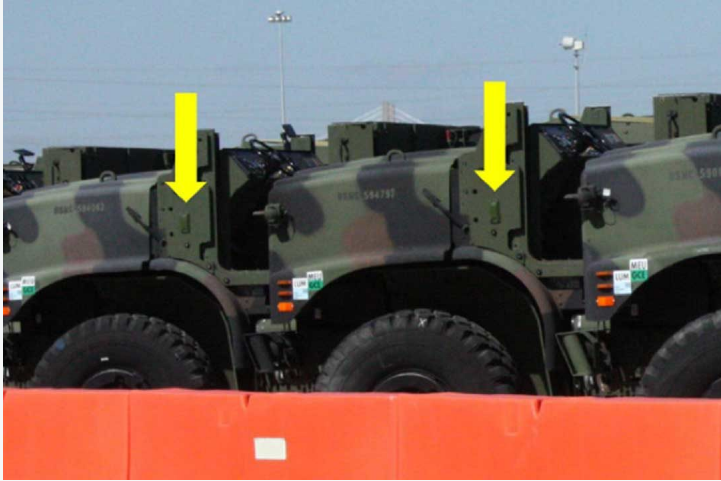
<b>Radio Protocol</b>	EPC Class 1 Gen2v2
<b>Frequency Range</b>	860 – 960 MHz (Global)
<b>Read Range – Fixed Reader</b>	Up to 20m (on metal)
<b>Read Range – Handheld Reader</b>	Up to 9m (on metal)
<b>On Metal or Balanced</b>	Optimized for metal
<b>IC Type (Chip)</b>	Impinj Monza 4QT
<b>Memory</b>	EPC - 128 bits User - 512 bits Unique TID - 48 bits

EPC and User memory are reprogrammable. UTID is locked at point of manufacture by IC manufacturer.

### Radiation Patterns



## [ Products ] you can identify with



With an excellent read range across all geographic regions and a durable, high heat resistant encasement, the Exo 2000 is best suited to outdoor applications, including:

- Container tracking for yard management
- Defense asset management
- Cargo tracking

### Environmental Specifications

<b>Operating Temperature</b>	-40°C to +85°C
<b>Max Temperature Exposure</b>	-40°C to 100°C
<b>IP Rating</b>	IP68
<b>Shock &amp; Vibration Tolerance</b>	MIL-STD-810 G
<b>Impact</b>	25kg from 1m

### Certifications

CE, RoHS, Ex, ATEX/IECEX certified (option), US&Canada (C1D1/D2) certified (option)



### Ordering Information

<b>Warranty</b>	3 years
<b>Product Options</b>	:303 (Customization) :304 (ATEX/IECEX certified) :307 (US&Canada (C1D1/D2) certified) :508 (premium foam) :701 (Standard Service Bureau)
<b>Part Number / Order Codes / Order Numbers</b>	152 - Global

**株式会社サイレンスネット** [www.silencenet.com](http://www.silencenet.com)

〒222-0033 横浜市港北区新横浜2-5-9 新横浜フジカビル  
tel. 045-475-1555 fax. 045-475-3275

For product or technology inquiries email: [sales@omni-id.com](mailto:sales@omni-id.com).  
Visit [omni-id.com](http://omni-id.com) to learn more about the complete line of **Omni-ID RFID** products