



[Products] you can identify with



Exo 3000

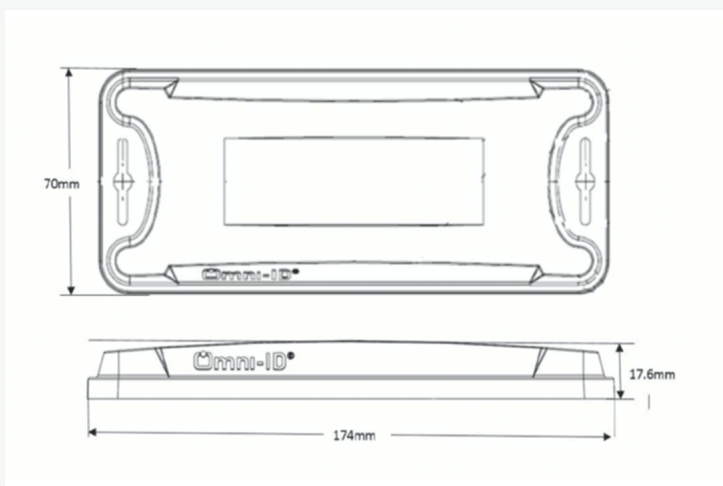
Omni-ID Exo 3000 is a globally compliant, passive UHF tag with extreme read ranges of up to 39m, on, off or near metals and liquids. Designed for heavy industry and outdoor applications, Omni-ID Exo 3000 features a high impact, water proof, durable encasement. Omni-ID Exo 3000 is an excellent choice for tracking large assets in open storage environments, without the concern of a battery.



Physical Specifications

Material	PC ABS blend
Size	174 x 70 x 17.6 mm, 6.85 x 2.76 x 0.69 in
Weight (g)	85
Attachment	Mechanical (standard) or premium foam (option)

Dimensions



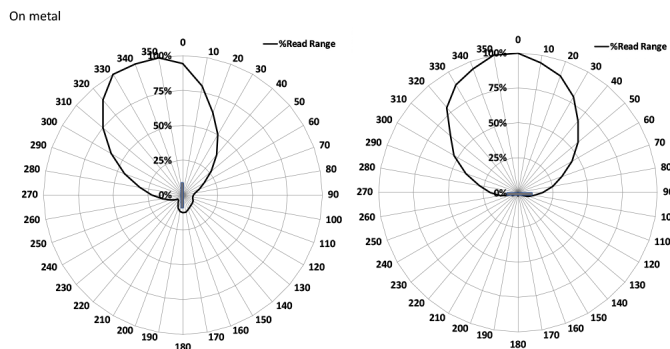
Measurements shown in mm

RF Specifications

Radio Protocol	EPC Class 1 Gen2v2
Frequency Range	860 – 960 MHz (Global)
Read Range - Fixed Reader	Up to 39m (127.9 feet)
Read Range - Handheld Reader	Up to 22m (72.17 feet)
On Metal or Balanced	Optimized for metal
Material Compatibility	Metal
IC Type (Chip)	Impinj-M730
Memory	EPC - 128 bits User - 0 bits Unique TID - 48 bits

Quoted performance achieved using standard testing methodology. Read range is dependent on multiple factors such as; RFID reader transmit power and receiver sensitivity, asset material and environment. EPC is reprogrammable. UTID is locked at point of manufacture by IC manufacturer.

Radiation Patterns

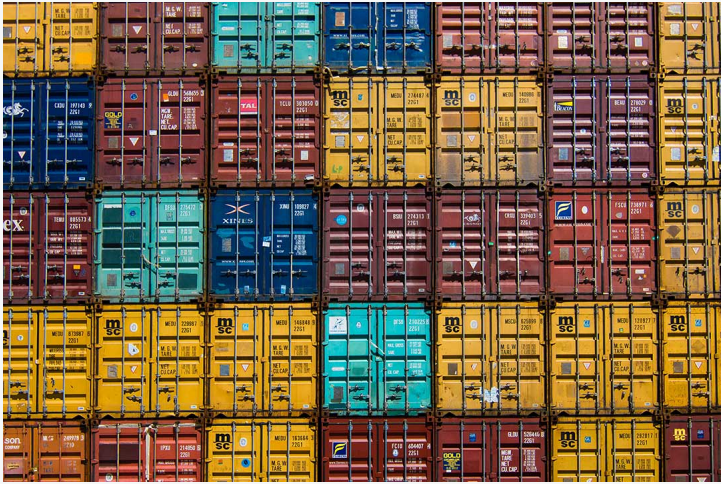


Omni-ID[®]

part of **HID**

TRUST
CONFIDENCE
QUALITY

[Products] you can identify with



With its breakthrough RF performance, the Omni Exo 3000 RFID tag provides a cost-effective solution for applications which previously required semi-passive or active tags including:

- Cargo and Container tracking
- Heavy equipment tracking and maintenance

Certifications

CE, RoHS, US&Canada (C1D1/D2) certified (option)



Environmental Specifications

Operating Temperature	-40°C to +85°C
Max Temperature Exposure	-40°C to +85°C
IP Rating	IP68
Shock & Vibration Tolerance	MIL-STD-810 G
Impact	25kg from 1m

Ordering Information

Warranty	2 years
Part Number / Order Codes / Order Numbers	CP15979 - No backing adhesive
	CP15991 - With backing adhesive

株式会社サイレンスネット www.silencenet.com

〒222-0033 横浜市港北区新横浜2-5-9 新横浜フジカビル tel. 045-475-1555 fax. 045-475-3275