

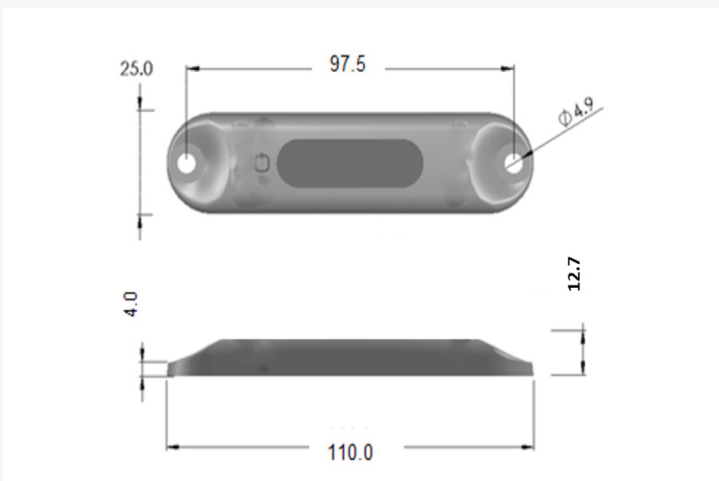
## [ Products ] you can identify with



### Physical Specifications

<b>Material</b>	ABS Rigid Plastic
<b>Size</b>	110 x 25 x 12.7 mm 4.33 x 0.98 x 0.50 in
<b>Weight (g)</b>	18.27
<b>Attachment</b>	Mechanical (std) or premium foam (option)

### Dimensions



Measurements shown in mm

## Exo 1000

Omni-ID Exo 1000 is a long read range passive UHF RFID tag capable of reading on, off, and near metal surfaces. Designed in a surprisingly small form factor, the Omni-ID Exo 1000 features a slightly less rugged design than the Exo 800, but with the benefit of a long read range of 10 meters and a lower cost. New to the Exo 1000 is a customization option for a transparent tag that provides full protection for printing within the tag case.

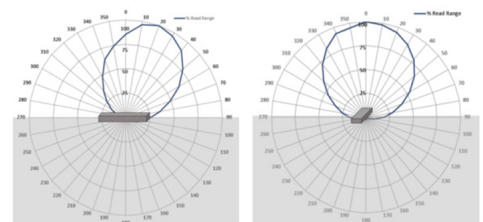
### RF Specification

<b>Radio Protocol</b>	EPC Class 1 Gen2v2
<b>Frequency Range</b>	860 - 930 (GS)
<b>Read Range - Fixed Reader</b>	Up to 10m (32.8 feet)
<b>Read Range - Handheld Reader</b>	Up to 8m (26.2 feet)
<b>On Metal or Balanced</b>	Optimized for metal
<b>IC Type (Chip)</b>	Impinj Monza 4QT
<b>Memory</b>	EPC - 128 bits User - 512 bits Unique TID - 48 bits

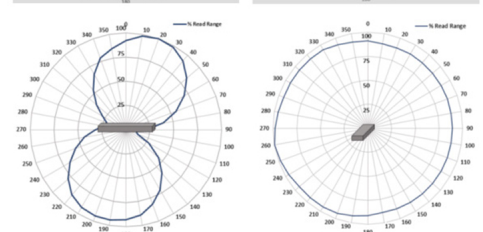
EPC and User memory are reprogrammable. UTID is locked at point of manufacture by IC manufacturer.

### Radiation Patterns

On Metal



Off Metal



## [ Products ] you can identify with



With a high read range, outstanding performance and durable service bureau options, the Omni-ID Exo 1000 is ideally suited to:

- Manufacturing tote tracking
- Automotive & retail supply chain
- Logistics and postal

### Environmental Specifications

<b>Operating Temperature</b>	-40°C to +85°C
<b>Survivability</b>	-40°C to +85°C
<b>IP Rating</b>	IP68
<b>Shock &amp; Vibration Tolerance</b>	MIL-STD-810 G
<b>Impact</b>	3kg from 1m

### Certifications

CE, RoHS, ATEX/IECEX certified (option), US&Canada (C1D1/D2) certified (option)



### Ordering Information

<b>Warranty</b>	3 years
<b>Product Options</b>	:303 (Customization) :304 (ATEX/IECEX certified) :307 (US&Canada (C1D1/D2) certified) :332 (Transparent case) :508 (Premium foam) :701 (Standard Service Bureau)
<b>Part Number / Order Codes / Order Numbers</b>	162 - GS

株式会社サイレンスネット [www.silencenet.com](http://www.silencenet.com)

〒222-0033 横浜市港北区新横浜2-5-9 新横浜フジカビル  
tel. 045-475-1555 fax. 045-475-3275

For product or technology inquiries email: [sales@omni-id.com](mailto:sales@omni-id.com).  
Visit [omni-id.com](http://omni-id.com) to learn more about the complete line of **Omni-ID RFID** products