

MICRO Autoclavable



The Xerafy MICRO Autoclavable is purpose-built to withstand the rigors of sterile processing in healthcare.

The IP69K rating and high-performance engineered polymer case of the UHF RAIN RFID tag allow for repeated chemical cleaning and autoclave sterilization cycles.



Rugged mounting options



On-metal and off-metal



High-performance polymer and stainless steel



IP69K



Cleaning and sterilization cycles



- Autoclave Sterilization
- Surgical Trays
- Medical Devices
- Healthcare Equipment
- Chemical Cleaning

[LEARN MORE >](#)

Performance Characteristics

Read range [handheld] ¹	Up to 22 ft (7 m)
Read range [fixed] ¹	Up to 32 ft (10 m)
Polarization	Linear
Mounting system	Screws (Rivet hole, M3) Pop rivets (Max size 3.2mm)

1. Performance based on standard testing methodologies. Performance may vary depending on environmental factors and reader output power.

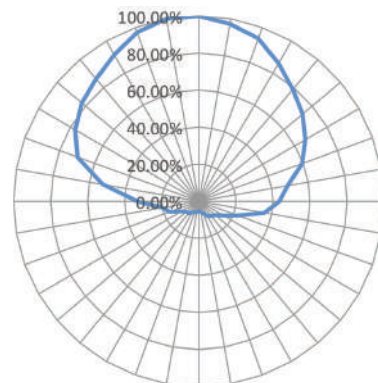
Functional Specifications

RF protocol	EPC global Class 1 Gen2
Frequency	902-928 (US) ; 865-868 (EU)
IC type [chip] ¹	Alien Higgs 9
Memory ²	96 bits EPC, 48 bits TID, 688 bits User Memory
Material	High-temperature engineered polymer, 316L Stainless Steel, Silicone sealer

1. The chip data retention is up to 50 years, based on chip operating under general environment conditions.

2. EPC can be re-programmed, password protected, or permanently locked. TID is locked and unique at the point of manufacturing.

Radiation Pattern



Environmental Specifications

Operational temperature	-40°C to +85°C
Survival temperature	-40°C to +150°C
High temperature cycle	+150°C/600hours
Chemical resistance	Various caustic chemicals ¹
IP rating	IP69K
Compression strength	181 psi (1250 kPa)
Shock (drop)	3 ft (1 m) to concrete/granite
Vibration	MIL-STD-810G

1. The chemical resistance is based on the concentration of solutions and application environment. Please contact Xerafy for further details on chemical resistance.

Industry Compliance

RoHS	EU Directive 2011/65/EU
CE	Yes
ATEX/IECEX	Compliant, Certified (optional)
Warranty	1 year

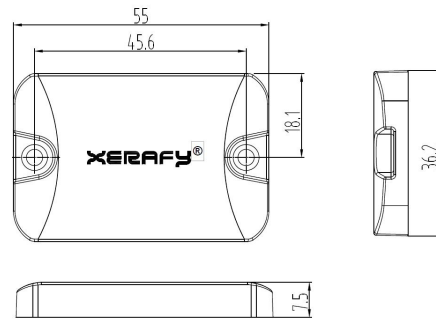
Order Information

X1130-US140-H9	MICRO Autoclavable US
X1130-EU140-H9	MICRO Autoclavable EU
Customization services	Encoding, Printing, Laser Marking, Industrial Adhesives, ATEX Certified Version, Optical Optimized White Case, Metal Backplate, User Memory Version

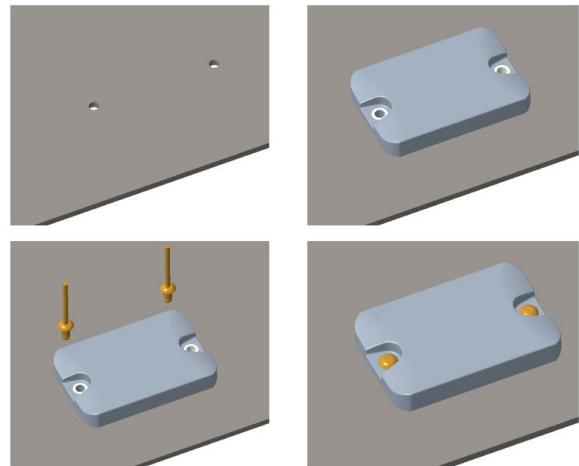


Product Dimensions and Weight

Dimensions (in)	2.01 x 1.43 x 0.30
Tolerance	+/- 0.02
Dimensions (mm)	55 x 36.2 x 7.5
Tolerance	+/- 0.5
Weight	0.92 oz (26 g)
Packing information	76 pcs /one box



Installation Instructions



Instructions for optimal performances:

1. Drill two holes on the subject metal surface. (ø 4 mm, pitch: 45.6mm)
2. Insert two ø3.2mm (recommended size) rivets on the tag.
3. Fix the tag on the metal surface with a rivet gun.

* Can also be attached via adhesive / epoxy.

About Xerafy

Xerafy designs and manufactures the world's toughest RFID tags to power Industrial IoT applications in Aerospace, Oil & Gas, Automotive, Healthcare and Manufacturing.

For Product inquiries: sales@xerafy.com
Singapore | China | US | UK

GO TO WEBSITE >