

## MICRO Power



The Xerify MICRO Power provides Industrial RFID performance in a smaller form factor without sacrificing performance.

Its slim profile is small enough to fit power tools and equipment, and its high-performance engineered polymer IP68-rated case provides extra durability in high temperatures and caustic chemicals.



Fits small size



3.5M on-metal



High-performance polymer case



IP68



Rugged mounting options



### Performance Characteristics

Read range (handheld) <sup>1</sup>	Up to 8.2 ft (2.5 m)
Read range (fixed) <sup>1</sup>	Up to 11.5 ft (3.5 m)
Polarization	Linear
Mounting system	Screws (Rivet hole, M3) Pop rivets (Max size 3.2mm) Cable tie Industrial Adhesive (optional)

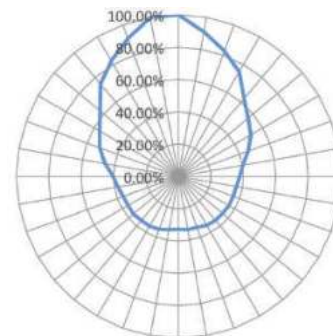
*1. Performance based on standard testing methodologies. Performance may vary depending on environmental factors and reader output power.*

### Functional Specifications

RF protocol	EPC global Class 1 Gen2
Frequency	902-928 (US) ; 865-868 (EU)
IC type (chip) <sup>1</sup>	Impinj M750
Memory <sup>2</sup>	96 bits EPC, 96 bits TID, 32 bits User memory
Material	High-performance engineered polymer

- 1. The chip data retention is up to 50 years, based on chip operating under general environment conditions.*
- 2. EPC can be re-programmed, password protected, or permanently locked. TID is locked and unique at the point of manufacturing.*

### Radiation Pattern



- Power Tool Tracking
- Automotive Post-Paint Processes
- Construction Tools
- Audio-Video Equipment
- Rental Fleet Management
- RTI Management

[LEARN MORE >](#)

### Environmental Specifications

Operational temperature	-40°C to +85°C
Survival temperature	-40°C to +150°C
IP rating	IP68
Shock (drop)	3 ft (1 m) to concrete/granite
Vibration	MIL-STD-810G

### Industry Compliance

RoHS	EU Directive 2011/65/EU
CE	Yes
ATEX/IECEx	Compliant, Certified (optional)
Warranty	1 year

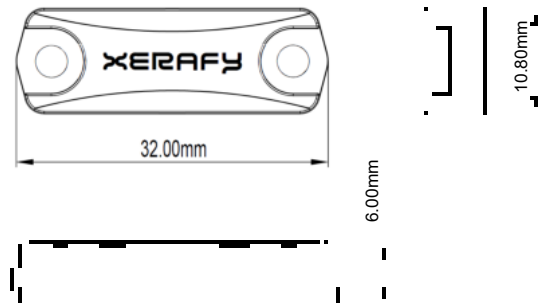
### Order Information

X3130-US101-M750	MICRO Power US
X3130-EU101-M750	MICRO Power EU
Optional service	Encoding, Printing, Laser Marking, Industrial Adhesives

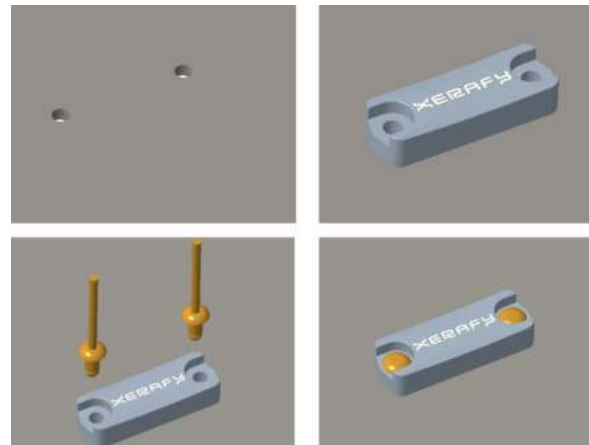


### Product Dimensions and Weight

Dimensions (in)	1.25 x 0.43 x 0.24
Tolerance	+/- 0.012
Dimensions (mm)	32 x 10.8 x 6.0
Tolerance	+/- 0.3
Weight	0.1 oz (3 g)



### Installation Instructions



Instructions for optimal performances:

1. Drill two holes on the subject metal surface.  
( $\phi$  3.6 mm, pitch: 24.8mm)
2. Insert two  $\phi$ 3.2mm (recommended size) rivets on the tag.
3. Fix the tag on the metal surface with a rivet gun.

\* Can also be attached via adhesive / epoxy / cable tie.

#### About Xerafy

Xerafy designs and manufactures the world's toughest RFID tags to power Industrial IoT applications in Aerospace, Oil & Gas, Automotive, Healthcare and Manufacturing.

For Product inquiries: [sales@xerafy.com](mailto:sales@xerafy.com)  
Singapore | China | US | UK

[GO TO WEBSITE >](#)