

ABOUT TIMES-7

We are a high-tech company specializing in the design and manufacture of RAIN (UHF) RFID antennas. Founded in 2006, Times-7 has developed the largest portfolio of fixed RAIN RFID reader antennas. Based in Lower Hutt, New Zealand we export all over the world through an authorized network.

Times-7 antennas are famous for their quality and performance.

In addition to our world-class products and in-depth expertise, our customers appreciate Times-7's customer service and technical support.

We are responsive in supporting a large global customer base and ensuring the success of our customer's implementations.

Times-7 Research Ltd
10 Te Puni Street
Lower Hutt 5012
New Zealand

NEW ZEALAND
P: +64 4 974 6566

USA/CANADA
P: +1 408 769 5025

E: sales@times-7.com

www.times-7.com



The SlimLine™ A4030L

Up to 9 m / 29 ft. read range

Just 12 mm / 0.5 in. thick

Versatile & compact with superb aesthetics

Seamless installation using rear connector

Part of the SlimLine™ range of multi-purpose antennas, the A4030L is a high performance linearly polarized UHF antenna suitable for a wide range of RFID deployments. With a read range of up to 9 m / 29 ft., and dimensions of only 280 mm / 11 in. square, the A4030L is an extremely versatile and compact antenna. A rear connector provides for ease of seamless installation with no visible cable.

Order Information

Ordering Information (please quote product code, band / cable type & part no.)

*Antenna Product Code	Band	Part No.
A4030L	ETSI 865-868 MHz	71271
A4030L	FCC 902-928 MHz	71272
Mounting Accessory Product Code		Part No.
Mounting Plate	ETSI and FCC	72094
Cable Accessories Product Code	Cable Type	Part No.
Cable 2 m, SMA to RPTNC	T7 195 / 240 / 400	71436 / 71782 / 72042
Cable 4 m, SMA to RPTNC	T7 240 / 400	71784 / 72043
Cable 6 m, SMA to RPTNC	T7 240 / 400	71904 / 72044
Cable 8 m, SMA to RPTNC	T7 240 / 400	71788 / 72045

*Built in New Zealand. ROHS & CE compliant.

View the Times-7 Cable Accessory datasheet [here](#)

Specifications

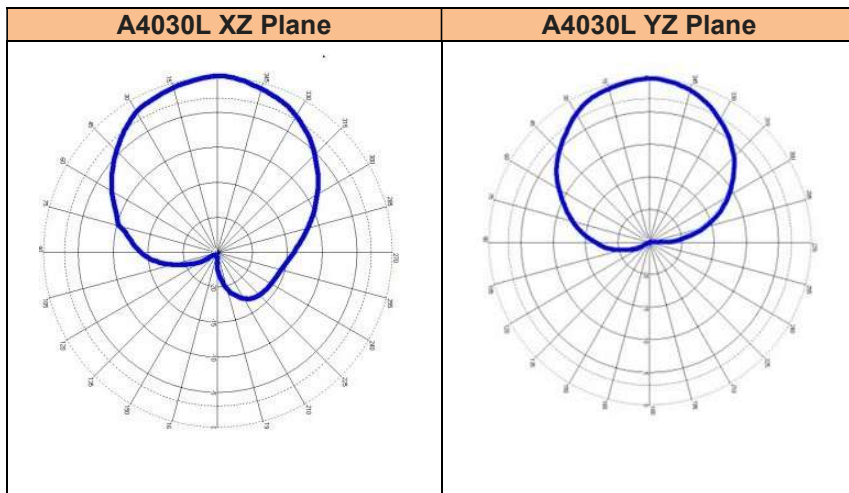
Physical / Environmental Specifications

Dimensions: Length (x) x Width (y) x Depth (z)	280 mm x 280 mm x 12.2 mm 11.02" x 11.02" x 0.48"
Boxed unit dimensions (L x W x D)	335 mm x 315 mm x 35 mm 13.19" x 12.40" x 1.38"
Weight:	Net: 0.752 kg / 1.66 lbs. Gross: 0.958 kg / 2.11 lbs.
Radome Material:	Fire retardant ABS
Environmental Rating:	IP65
Operating / Storage Temperature:	-20° to +55°C / -30° to +65°C -4° to +131°F / -22° to +149°F
Connector type / position:	SMA female / Rear connector

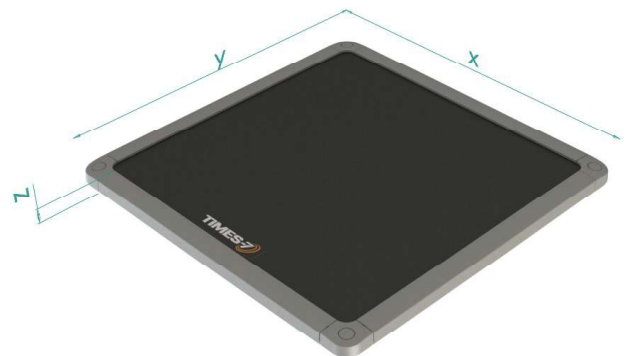
Electrical Specifications

Frequency Range:	865-868 MHz / 902-928 MHz
Polarization:	Linear
Far-field Gain:	7.5 dBi
Far-field 3dB beamwidth: *	62° in both planes
VSWR	1.8 typical
Front to back ratio:	22 dB
Nominal impedance:	50 Ω
Anti-static protection:	Yes, DC grounded
Antenna detection	10 K Ω resistance
Maximum Input Power:	3 W

Radiation Pattern



Azimuth Planes



Application examples for the A4030L

Inventory Management

The A4030L is a rugged antenna meaning it is ideal for asset tracking and encoding RFID tags. This antenna has a typical read range distance of 9m allowing manufacturers, wholesalers, and retailers, for example, to track their inventory throughout the supply chain, from the warehouse shelves all the way to the sales floor.



Supply Chain Logistics

The A4030L antenna can be used to accurately count, correct, and track all individual items and cartons across the supply chain. This starts in the factory where items are tagged at source, goes on to the distribution center where orders are sorted and finally sent out to stores.



Retail / POS self service

The A4030L can easily be deployed in space constrained environments such as retail. With its superb aesthetics and compact design, the A4030L antenna blends well into the retail back drop.



Mounting Information

Bracket mount

The Times-7 Mounting Plate for the A4030L is designed to support VESA brackets (100 x 100 mm) with installation simplicity in mind. Our mounting brackets cater for both interior and exterior mounting requirements under all environmental conditions.

For exact dimension, please refer to the mechanical drawings on page 6. For instructions on how to attach the bracket to the antenna please click [here](#).



Installation Instructions

The recessed corner mounting holes of the A4030L supports 100 x 100mm VESA spaced mounting brackets as shown above. The innovative slim design of the A4030L, equipped with an SMA connector, allows for totally flush mounting using the corner holes.

Caution:

- Ensure that only finger tightness is used for the SMA connector.
- Use of tools to tighten the connector will apply excessive force and will damage the connector.
- Avoid any load or bending force from the cable on the connector.

GLOBAL SUPPORT

In addition to our world-class products and in-depth expertise, Times-7 is known for their quality of customer service and technical support. We place emphasis on our responsiveness in supporting a large global customer base and ensuring the success of our customer's implementations

Times-7 Research Ltd
10 Te Puni Street
Lower Hutt 5012
New Zealand

NEW ZEALAND
P: +64 4 974 6566

USA/CANADA
P: +1 408 769 5025

E: sales@times-7.com

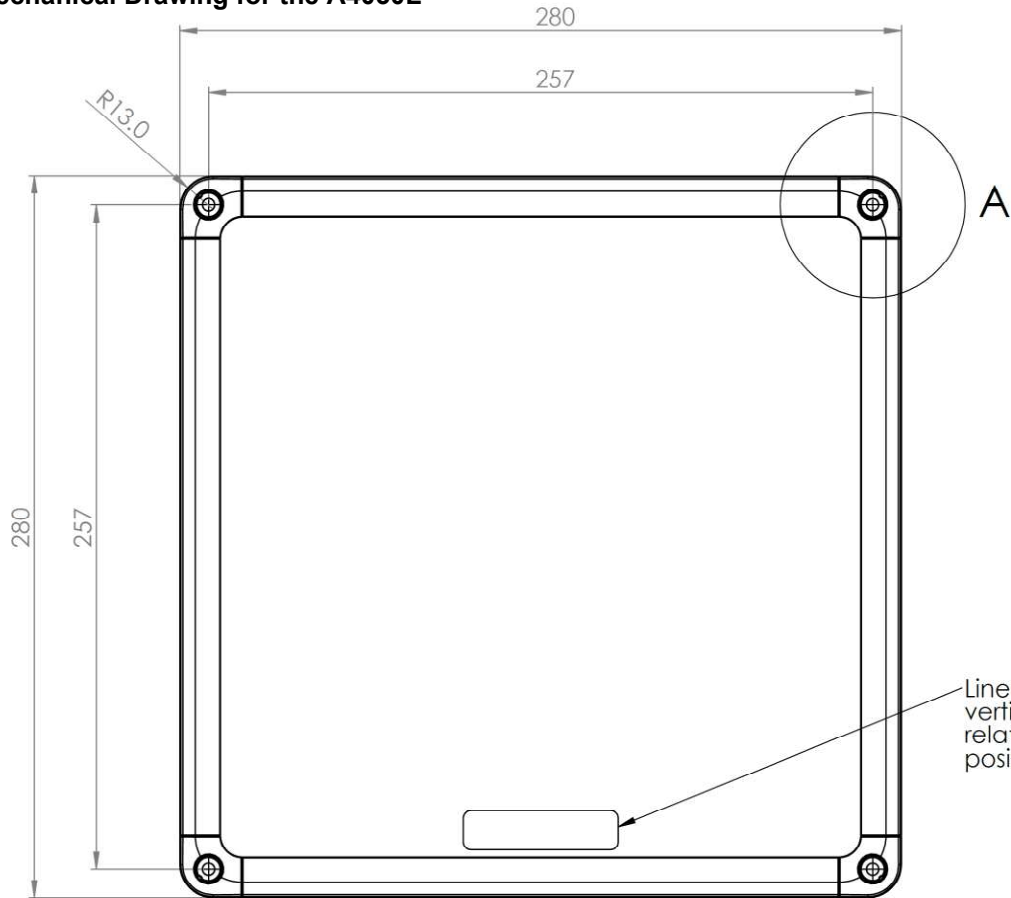
www.times-7.com

株式会社サイレンスネット www.silencenet.com

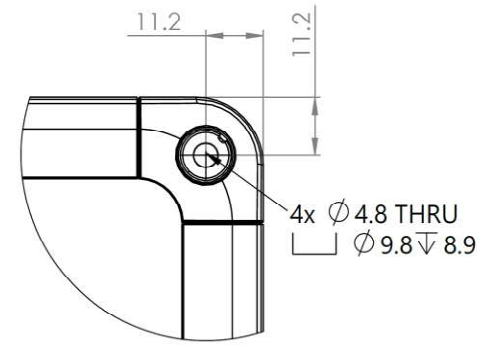
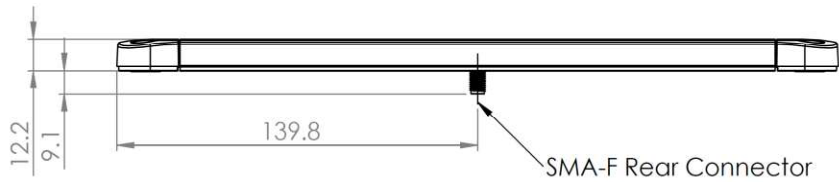
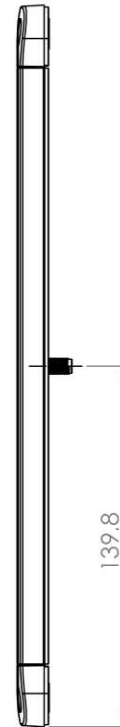
〒222-0033 横浜市港北区新横浜2-5-9 新横浜フジカビル

tel. 045-475-1555 fax. 045-475-3275

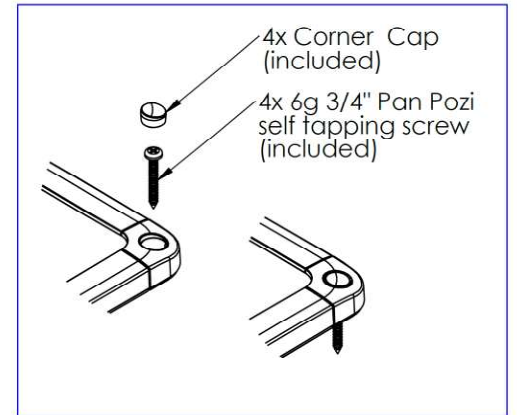
Mechanical Drawing for the A4030L



Linearly polarized in vertical direction relative to the position of the label



DETAIL A
SCALE 1:1



<small>THE INFORMATION CONTAINED IN THIS DRAWING IS THE SOLE PROPERTY OF TIMES-7 LTD. ANY REPRODUCTION IN PART OR AS A WHOLE WITHOUT THE WRITTEN PERMISSION OF TIMES-7 IS PROHIBITED.</small>		<small>DIMENSIONS ARE IN mm UNLESS OTHERWISE SPECIFIED TOLERANCES: NO DECIMAL PLACES ± 1 ONE PLACE DECIMAL ± 0.5</small>				DESCRIPTION A4030L Antenna	
DRAWN C Wilson	SIGNATURE 	DATE 06/06/2019	SIZE A3	PART NO. 71271 (ETSI) , 71272 (FCC)	REV B	DO NOT SCALE DRAWING	
APPROVED R Lopez	SIGNATURE 	DATE 11/06/2019	SHEET 1 OF 1				

