

**ABOUT TIMES-7**

Times-7 is a high-tech company specialising in the design and manufacture of RAIN (UHF) RFID antennas, based in Lower Hutt, New Zealand. We export all over the world either direct or through our distributor, authorized reseller and integrated solutions provider network. Our brand is well-established in the global RFID market, and we are known for high quality and reliability, as well as our significant RF expertise.

Founded in 2006, Times-7 has developed the largest portfolio of fixed RAIN RFID reader antennas. As well as standard antennas for all applications, Times-7 also offers a custom antenna development service, when the requirements are not fully satisfied by our catalogue antennas.

Times-7 Research Ltd  
10 Te Puni Street Petone  
Lower Hutt 5012  
New Zealand

NEW ZEALAND  
P: +64 4 974 6566

USA/CANADA  
P: +1 408 769 5025

E: [sales@times-7.com](mailto:sales@times-7.com)

[www.times-7.com](http://www.times-7.com)



The SlimLine A6032

Up to 6 m / 19.5 ft. read range

Just 12 mm / 0.5 in. thick

Sleek & rugged design, with customer friendly aesthetics

Typical applications:  
Retail, industrial / any space constrained or customer facing environment

Part of the SlimLine range of multi-purpose antennas, the A6032 is both unobtrusive and rugged. Together with its superior aesthetics, the A6032 is ideal for customer-facing applications and sought after for RFID deployments from retail to industrial asset tracking.

The A6032 can be flush wall mounted for asset tracking or used as a slim counter antenna for inventory management.

**Order Information**

**Ordering Information (please quote product code, band / cable type & part no.)**

Antenna Product Code	Band	Part No.
A6032	ETSI 865-867 MHz	70802
A6032	FCC 902-928 MHz	70808
Mounting Accessory Product Code		Part No.
Mounting Plate (A6032)	ETSI and FCC	71632
Cable Accessories Product Code	Cable Type	Part No.
Cable 2 m, SMA to RPTNC	T7195 / 240 / 400	71436 / 71782 / 72042
Cable 4 m, SMA to RPTNC	T7 240 / 400	71784 / 72043
Cable 6 m, SMA to RPTNC	T7 240 / 400	71904 / 72044
Cable 8 m, SMA to RPTNC	T7 240 / 400	71788 / 72045

\*Built in New Zealand. ROHS & CE compliant.

View the Times-7 Cable Accessory datasheet [here](#)

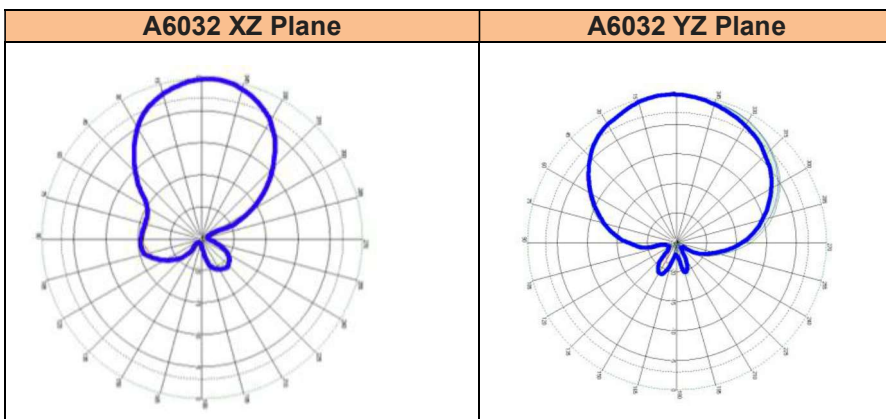
### Physical / Environmental Specifications

<b>Dimensions unboxed</b>	390 mm x 274 mm x 12.2 mm
<b>Length (x) x Width (y) x Depth (z)</b>	14.96" x 10.74" x 0.48"
<b>Boxed unit dimensions</b>	410 mm x 315 mm x 30mm 16.14" x 12.4" x 1.18"
<b>Weight:</b>	Net: 1 kg / 2.2 lbs. Gross: 1.3 kg / 2.9 lbs.
<b>Radome Material:</b>	Fire retardant ABS
<b>Environmental Rating:</b>	IP65
<b>Operating / Storage Temperature:</b>	-20° to +55°C / -30° to +65°C -4° to +131°F / -22° to +149°F
<b>Mounting:</b>	Integrated mounting holes / mounting plate for VESA mount available
<b>Connector type / position:</b>	SMA female side fly lead (324 mm / 12.75")
<b>Vibration:</b>	IEC 68-2-6 (10 to 150 Hz, 0.5g, 1 hr. / 2 axes, Random Vibration)
<b>Humidity:</b>	IEC 68-2-30 (+25° to +55°C / +77° to +131°F / 24 hr. cycle of at least 90% relative humidity)
<b>Cold Test:</b>	IEC 68-2-1 (-40°C / -40°F / 24 hr.)
<b>Heat Test:</b>	IEC 68-2-2 (+70°C / +158°F / 24 hr.)
<b>Temperature Shock Test:</b>	IEC 68-2-1 (10 cycles of 30 mins. at -40°C / -40°F followed by 30 mins. at +70°C / +158°F and back)

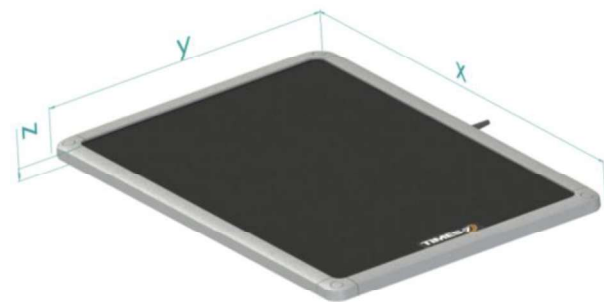
### Electrical Specifications

<b>Frequency Range:</b>	865-868 MHz / 902-928 MHz
<b>Polarization:</b>	RHCP (Right Hand Circular Polarised)
<b>Far-field Gain:</b>	7 dBiC typical
<b>Far-field 3dB beamwidth: *</b>	48° in xz-plane, 75° in yz-plane
<b>VSWR</b>	1.4 typical
<b>Front to back ratio:</b>	-22 dB
<b>Axial ratio:</b>	< 2 dB at boresight
<b>Nominal impedance:</b>	50 Ω
<b>Anti-static protection:</b>	Yes, DC grounded
<b>Antenna detection</b>	10 K Ω resistance
<b>Maximum Input Power:</b>	3 W

### Radiation Patterns



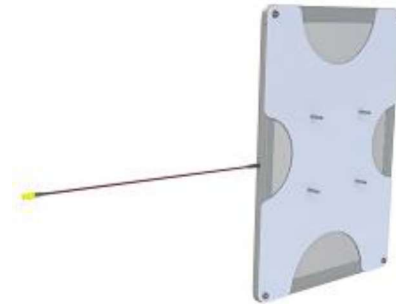
### Antenna Planes



## Mounting Information

### Bracket mount

The Times-7 Mounting Plate for the A6032 is designed to support VESA brackets. For exact dimensions, please refer to the mechanical drawings on page 4. For instructions on attaching the bracket to the antenna, please click [here](#).



## Installation Instructions

- Ensure that only finger tightness is used for the SMA connector. Use of tools to tighten the connector will apply excessive force and will damage the connector.
- Avoid any load or bending force from the cable on the connector.

## Applications

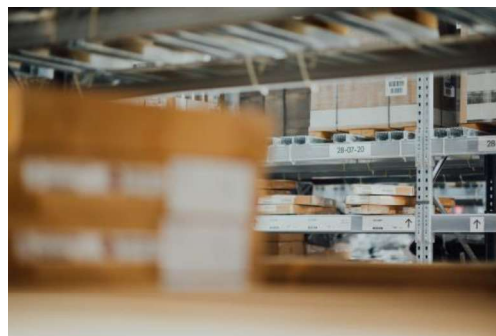
### Retail inventory management

The A6032 antenna excels in retail inventory management applications due to its unobtrusive yet rugged design, superior aesthetics, and versatility. This antenna is ideal for customer-facing environments and sought after for RFID deployments ranging from retail to industrial asset tracking.



### Space constrained environment

In space-constrained environments, the A6032 antenna's SlimLine design and flush wall-mounting capability make it a perfect choice for efficient RFID deployments, enabling seamless inventory management without compromising on valuable space.



### GLOBAL SUPPORT

In addition to our world-class products and in-depth expertise, Times-7 is known for their quality of customer service and technical support. We place emphasis on our responsiveness in supporting a large global customer base and ensuring the success of our customer's implementations.

Times-7 Research Ltd  
10 Te Puni Street  
Lower Hutt 5012  
New Zealand

NEW ZEALAND  
P: +64 4 974 6566

USA/CANADA  
P: +1 408 769 5025

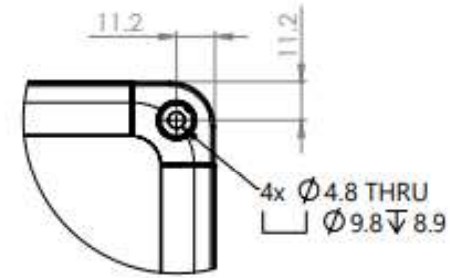
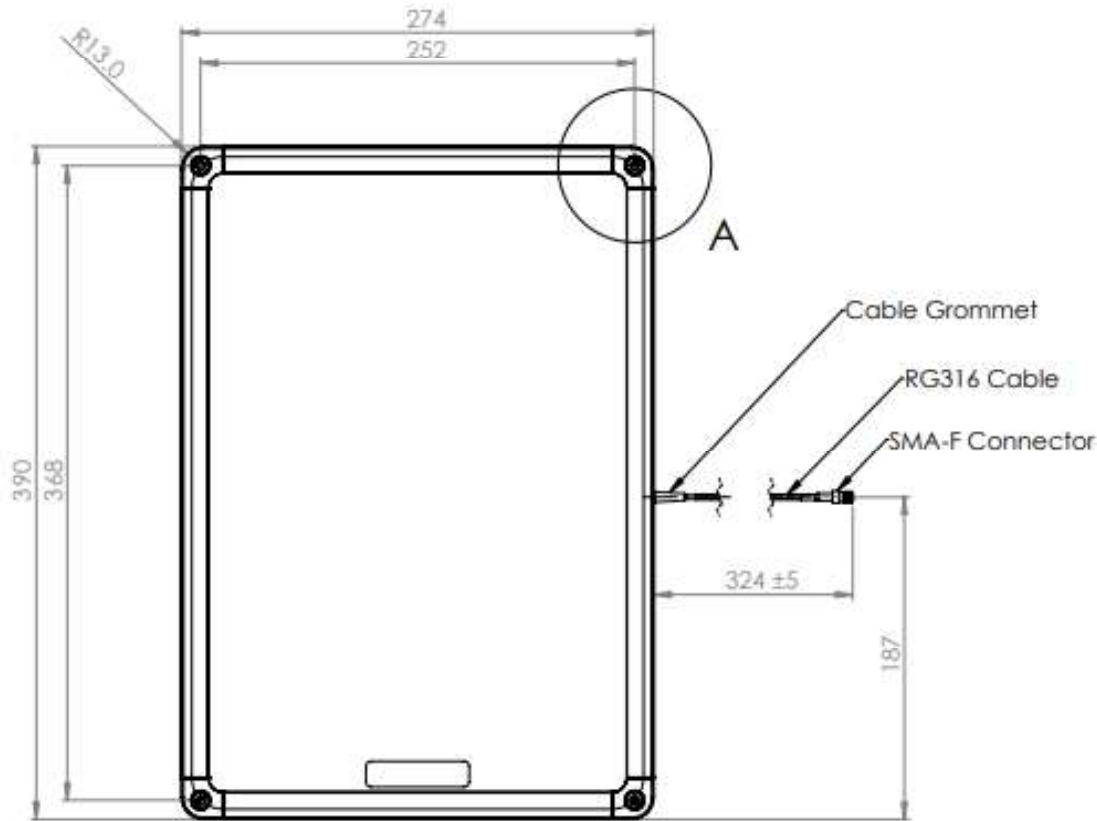
E: [sales@times-7.com](mailto:sales@times-7.com)

[www.times-7.com](http://www.times-7.com)

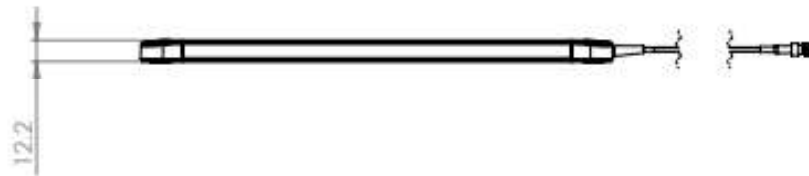
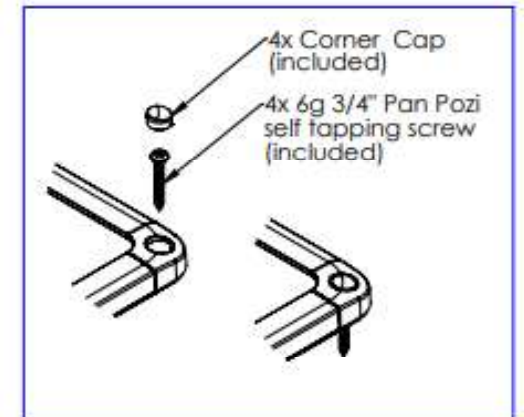
株式会社サイレンスネット [www.silencenet.com](http://www.silencenet.com)

〒222-0033 横浜市港北区新横浜2-5-9 新横浜フジカビル  
tel. 045-475-1555 fax. 045-475-3275

Mechanical Drawing for the A6032



DETAIL A  
 SCALE 2 : 3



THE INFORMATION CONTAINED IN THIS DRAWING IS THE SOLE PROPERTY OF TIMES-7 LTD. ANY REPRODUCTION IN PART OR AS A WHOLE WITHOUT THE WRITTEN PERMISSION OF TIMES-7 IS PROHIBITED.	DIMENSIONS ARE IN mm - UNLESS OTHERWISE SPECIFIED TOLERANCES: NO DECIMAL PLACES ± 1 ONE PLACE DECIMAL ± 0.2		DESCRIPTION		
	DRAWN C Wilson		SIGNATURE 	DATE 22/05/2019	A6032 Antenna
APPROVED R Lopez	SIGNATURE 	DATE 11/06/2019	SIZE A3	PART NO. 70802 (ETSI) , 70808 (FCC)	REV B
DO NOT SCALE DRAWING					SHEET 1 OF 1

**Mechanical Drawing for the A6032 Mounting Plate**

