

ABOUT TIMES-7

We are a high-tech company specializing in the design and manufacture of RAIN (UHF) RFID antennas.

Our journey began in 2006, when Times-7 was founded. Since then, we have developed the largest portfolio of fixed RAIN RFID reader antennas, which are famous for their quality and performance.

We are based in Lower Hutt, New Zealand, but our reach extends worldwide as we export our products through our authorized partner network.

In addition to our world-class products and in-depth expertise, our customers appreciate Times-7's customer service and technical support.

We are responsive in supporting a large global customer base and ensuring the success of our customer's implementations.

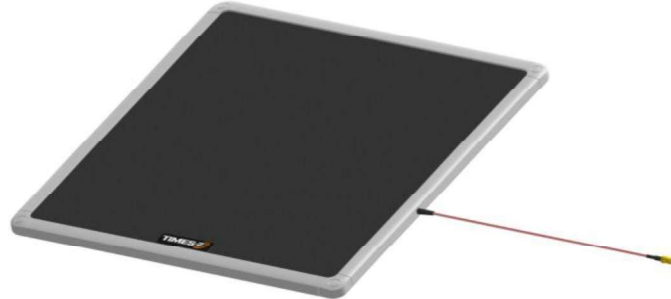
Times-7 Research Ltd
10 Te Puni Street
Lower Hutt 5012
New Zealand

NEW ZEALAND
P: +64 4 974 6566

USA/CANADA
P: +1 408 769 5025

E: sales@times-7.com

W: www.times-7.com



A6034S Circularly Polarized

With an impressive read range of up to 9 meters (29 feet), the A6034S Circularly Polarized Antenna delivers unparalleled performance. Its narrow, even beam ensures an exceptionally accurate read zone, making it the go-to choose for applications where precision is paramount.

The A6034S is engineered with ruggedness in mind, making it suitable for both indoor and outdoor RFID deployments. Its robust construction ensures durability in various challenging environments, including demanding industrial applications.

Order Information

Note: Please quote product code, band, cable type & part number

Antenna Product Code	Band	Part No.
A6034S	ETSI 865-868 MHz	71002
A6034S	FCC 902-928 MHz	71003
Cable Accessories Product Code	Cable Type	Part No.
Cable 2m, SMA to RPTNC	T7 195 / 240 / 400	71436 / 71782 / 72042
Cable 4m, SMA to RPTNC	T7 240 / 400	71784 / 72043
Cable 6m, SMA to RPTNC	T7 240 / 400	71904 / 72044
Cable 8m, SMA to RPTNC	T7 240 / 400	71788 / 72045
Mounting Accessory Product Code	Band	Part No.
Mounting Bracket	ETSI and FCC	71633

*Built in New Zealand. ROHS & CE compliant.

View the Times-7 Cable Accessory datasheet [here](#)



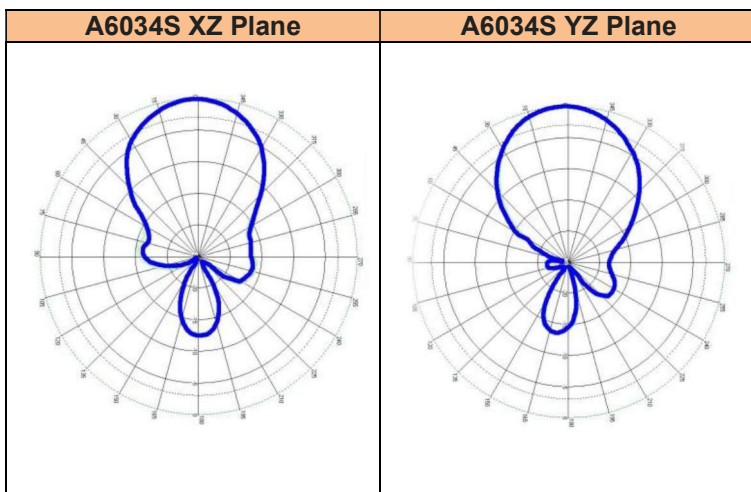
Physical and Environmental Specifications

Dimensions: Length (x) x Width (y) x Depth (z)	393mm x 393 x 12.2mm 15.47 x 15.47 x 0.48"
Boxed Unit Dimensions: (L x W x D)	425 x 415 x 30mm 16.73 x 16.33 x 1.18"
Weight:	Net: 1.452kg / 3.20lbs. Gross: 1.754kg / 3.86lbs.
Radome Material:	Fire retardant ABS
Environmental Rating:	IP65
Operating / Storage Temperature:	-20° to +55°C / -30° to +65°C -4° to +131°F / -22° to +149°F
Mounting:	Integrated mounting holes / mounting bracket
Connector Type / Position:	SMA female side fly lead (300mm / 1ft)

Electrical Specifications

Frequency Range:	865-868 MHz / 902-928 MHz
Polarization:	RHCP (Right Hand Circular Polarised)
Far-field Gain:	9dBiC typical
Far-field 3dB Beamwidth: *	50° in both planes
VSWR	1.4 typical
Front To Back Ratio:	13dB
Axial Ratio:	< 2dB at boresight
Nominal Impedance:	50Ω
Anti-Static Protection:	Yes, DC grounded
Antenna Detection	10K Ω resistance
Maximum Input Power:	3W

Radiation Pattern



*Azimuth Planes



Mounting Information

Mounting Plate

The Times-7 Mounting Plate for the A6034S is designed to support VESA brackets. For exact dimensions, please refer to the mechanical drawings. For instructions on how to attach the bracket to the antenna, please click [here](#).

Installation Instructions

1. Ensure that only finger tightness is used for the SMA connector. Use of tools to tighten the connector will apply excessive force and will damage the connector.
2. Avoid any load or bending force from the cable on the connector.

Applications

Customer Facing Environments

The A6034S is an ultra-low profile circularly polarized antenna with high gain, perfect for space-constrained and customer-facing environments. The A6034S excels in applications where long / highly accurate read zones are required.



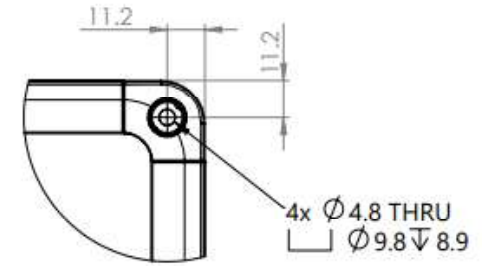
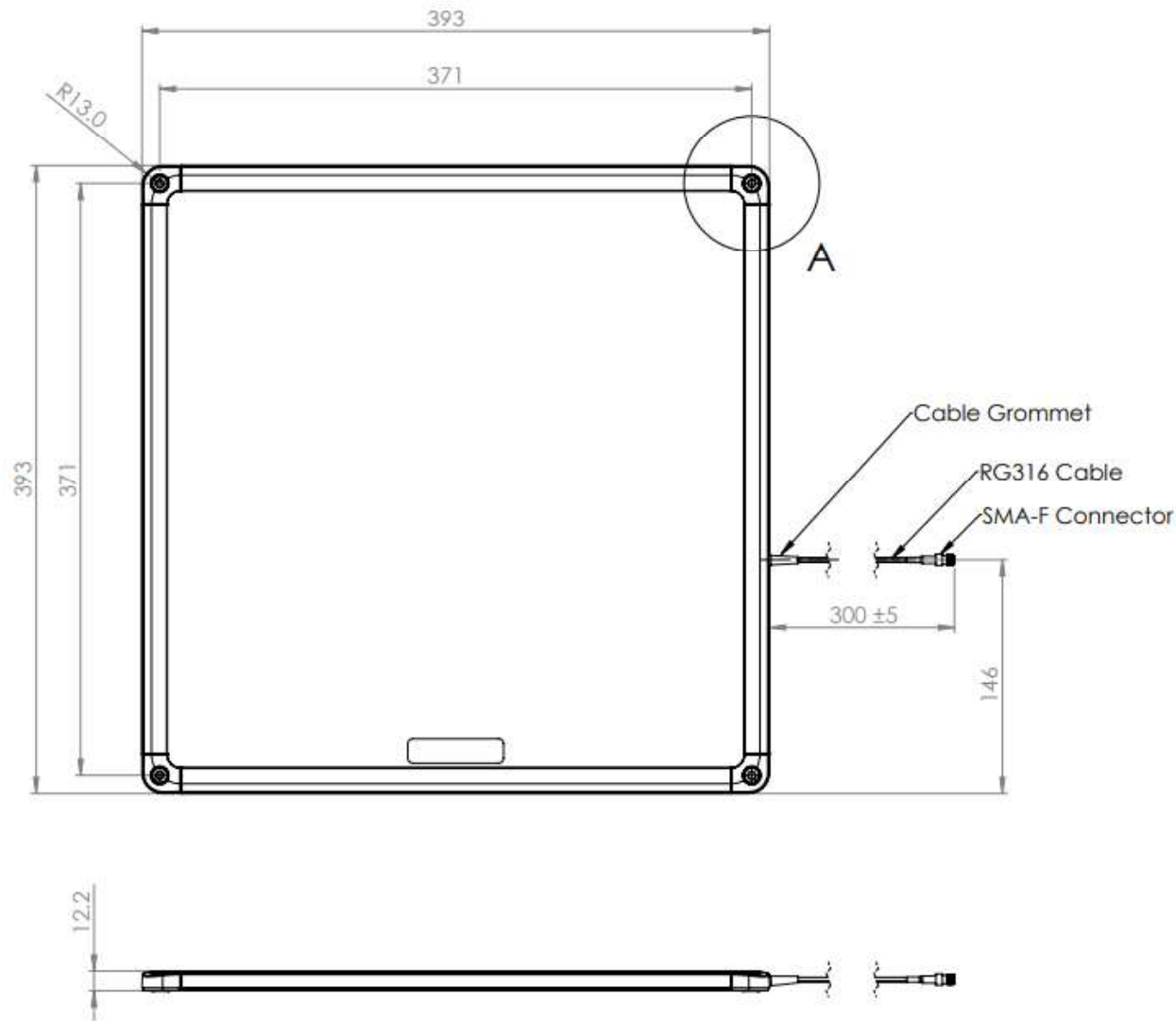
Industrial Applications

In industrial applications, the A6034S provides higher product visibility, eliminates manufacturing errors, enables asset management, and can increase production speed.

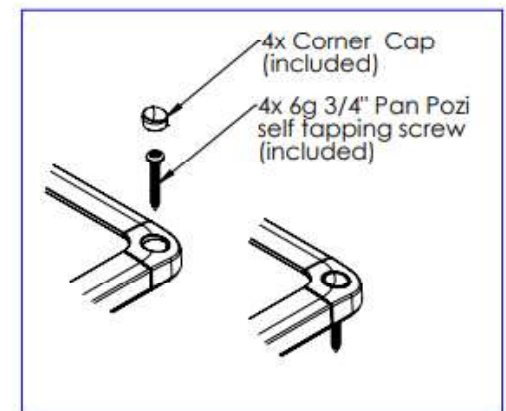


株式会社サイレンスネット www.silencenet.com
〒222-0033 横浜市港北区新横浜2-5-9 新横浜フジカビル
tel. 045-475-1555 fax. 045-475-3275

Mechanical Drawing for the A6034S Circularly Polarized Antenna



DETAIL A
SCALE 2 : 3



THE INFORMATION CONTAINED IN THIS DRAWING IS THE SOLE PROPERTY OF TIMES-7 LTD. ANY REPRODUCTION IN PART OR AS A WHOLE WITHOUT THE WRITTEN PERMISSION OF TIMES-7 IS PROHIBITED.		DIMENSIONS ARE IN mm UNLESS OTHERWISE SPECIFIED TOLERANCES: NO DECIMAL PLACES ± 1 ONE PLACE DECIMAL ± 0.5				DESCRIPTION A6034S Antenna	
DRAWN C Wilson	SIGNATURE 	DATE 26/05/2019	SIZE A3	PART NO. 71002 (ETSI) , 71003 (FCC)	REV B	DO NOT SCALE DRAWING	
APPROVED R Lopez	SIGNATURE 	DATE 11/06/2019	SHEET 1 OF 1				

Mechanical Drawing for the A6034S Circularly Polarized Antenna Mounting Plate

