



Omni-ID® Exo750 Concrete

Omni-ID Exo750 Concrete is a long read range durable RFID tag optimized for concrete environmental, either on surface or being embeded. Designed with a broad read angle and IP68 rating, featuring premium materials, EXO750 Concrete offers market leading consistency and reliability in Concrete environments.

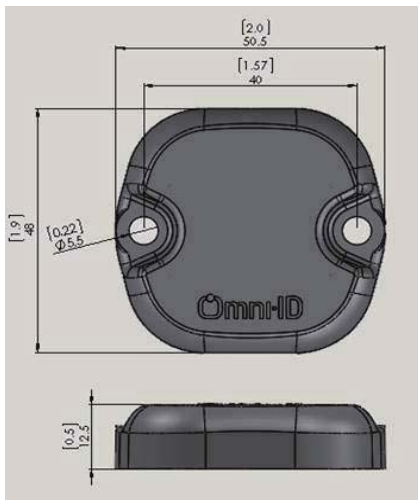
Application

Base on a rugged construction, square foot print and moderate durability, EXO750 Concrete is optimized for

- Concrete Construction

Physical Specification

Encasement	ABS
Dimension(mm)	50.5 x 48 x 12.5
Tolerance	(+/-1.0)
Dimension(in)	3.15 x 0.59 x 0.48
Tolerance	(+/-0.04)
Weight(g)	26



Dimension in mm

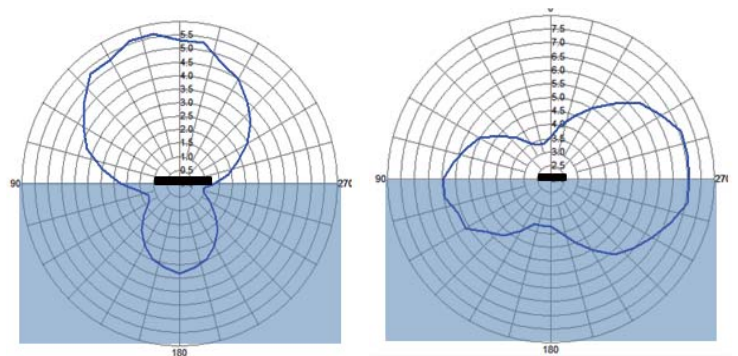
RF Specification

Protocol	EPC Class 1 Gen2
Frequency Range (MHz)	920-925MHz (CN)
RF Read Range(Fixed Reader)	Up to 4.6m(CN); Embeded by 10mm
RF Read Range(Handheld Reader)	Up to 3m(CN); Embeded by 10mm
Material Compatibility	Optimized for metal
IC Type	Impinj Monza 4QT
User Memory	EPC - 96bits User - 512bits TID - 64bits

1. Quoted performance achieved using standard test methodology, Read range varies with reader hardware and output Power.
2. EPC and User memory are reprogrammable, TID is locked at point of manufacture.

Radiation Patterns

Embeded in Concrete



Related Products and Service

- ▶ Omni-ID Exo 600 - High Performance, global RFID tag
Designed to meet the diverse need of logistic industries.
- ▶ Omni-ID Dura 1500 - Long range, high durability and
global RFID tag for heavy industry applications.
- ▶ Omni-ID IQ 800P- Premium label tag used on plastics assets.
- ▶ Service Bureau- Omni-ID offers a full service bureau for
printing and pre-encoding Omni-ID tags at point of
manufacture.



Environmental Specification

Operation Temperature	-40 ~ +85 °C
Long term max temperature Exposure - (days, weeks, years)	+85 °C
Short term max temperature Exposure - (minutes, hours)	+105 °C
IP Rating	IP68
Shock and Vibration	MIL STD 810-F
Impact	Height 1m, Weight 10kg
Attachments	Mechanical (std) Film adhesive(option) Foam adhesive(option)
Certification	RoHS approved CE approved ATEX/IECEX certified (option) US&Canada (C1D1/D2) certified (option)
Waranty	3 Year

1. Excludes adhesive options, consult adhesive datasheet for recommended temperature ratings.
2. Testing methodology available on request.

Order Information

Order Code	035 - GS :304 (ATEX/IECEX certified) :307 (US&Canada (C1D1/D2) certified) :701 (Standard Service Bureau) :702 (Custom Service Bureau)
------------	---



株式会社サイレンスネット www.silencenet.com
〒222-0033 横浜市港北区新横浜2-5-9 新横浜フジカビル tel. 045-475-1555 fax. 045-475-3275