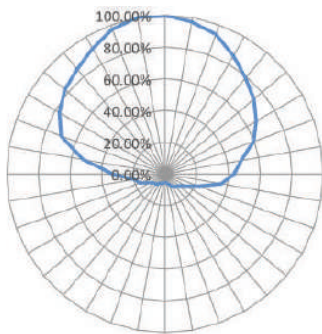




MICRO PAINT SHOP

Technical Specifications

- **RF protocol** EPC global Class 1 Gen 2
- **Frequency** 902–928 MHz (US); 865–868 MHz (EU)
- **IC type (chip)**¹ Alien Higgs 9
- **Chip memory**² 96 bits EPC; 48 bits TID; 688 bits user memory
- **Write cycles** 100,000 cycles
- **Read range fixed**³ Up to 32.81 ft (10 m)
- **Read range handheld**³ Up to 22.97 ft (7 m);
- **Polarization** Linear
- **Radiation pattern on metal**



Key Features

- + **Silicone-free:** for paint shop
- + **250°C:** withstand high temperatures
- + **10 m read range:** read from a distance
- + **Stainless steel inserts:** rugged mounting systems
- + **IP68 rating:** waterproof

Applications

- **Paint shop skids**
- **Chemical Pre-Treatments**
- **Cataphoresis coating**
- **Hi-Temp drying ovens**
- **Powder coating**

Environmental Specifications

Temperatures

- Operational -40°C to +85°C
- Survival -40°C to +250°C
- High temperature cycle 250°C (500 hours)

Chemicals⁴

- 24h H₂SO₄ (10% sulfuric acid)
- 24h HNO₃ (10% nitric acid)
- 24h H₃PO₄ (20% phosphoric acid)
- 24h H₂O₂ (25% hydrogen peroxide)
- 24h NaOH (10% sodium hydroxide)

- **IP rating** IP68
- **Compression strength** 181 psi (1250 kPa)
- **Shock** 3ft (1 m) to concrete/granite

- **Vibration** MIL-STD-810G
- **Warranty** 1 year

¹ The chip data retention is up to 50 years, based on chip operating under general environment conditions.

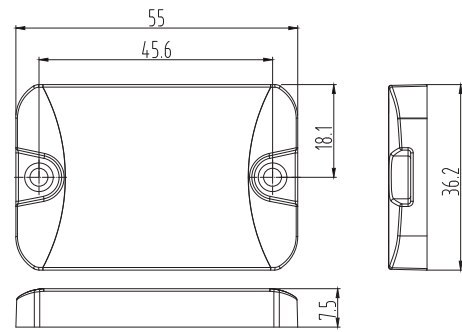
² EPC can be re-programmed, password protected, or permanently locked. TID is locked and unique at the point of manufacturing.

³ Performance based on standard testing methodologies. Performance may vary depending on environmental factors and reader output power.

⁴ The chemical resistance is based on the concentration of solutions and application environment. Please contact Xerafy for further details on chemical resistance.

Physical Specifications

- **Material** Industry grade polymer;
316L Stainless steel
- **Dimensions (in)**¹ 2.16 x 1.43 x 0.30
- **Dimensions (mm)**¹ 55 x 36.20 x 7.50
- **Weight** 0.92 oz (26 g)
- **Packing information** 92 pcs /one box



Mounting Systems

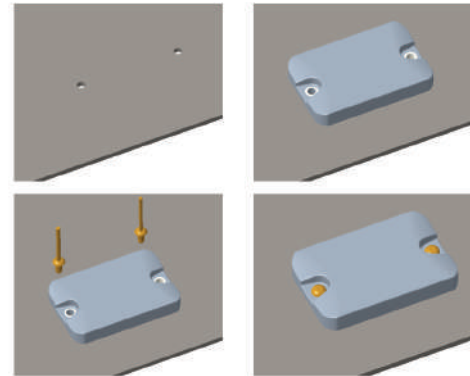
- Pop rivets
- Screws
- Industrial adhesive (optional)

Installation Instructions

1. Use M3 rivets for attachment:
 - Drill two holes (ø 3.50) in the metal surface, pitch: 45.60 mm.
 - Utilize M3 rivets in conjunction with a rivet gun to securely fasten the tag onto the metal surface.
2. Use M3 screws for attachment:
 - Drill two holes (ø 2.20) in the metal surface, pitch: 45.60 mm.
 - Perform a M3 thread tapping procedure.
 - Utilize M3 screws to securely attach the tag to the metal surface.

* Can also be attached via adhesive / epoxy.

¹ Tolerance: +/- 0.02; +/- 0.50 mm



Industry Compliance



Order Information

MICRO Paint Shop US: X1130-US130-H9

MICRO Paint Shop EU: X1130-EU130-H9

Customization Options

Encoding

Laser Marking

ATEX Certified Version

Printing

Industrial Adhesives

Metal Backplate

株式会社サイレンスネット www.silencenet.com

〒222-0033 横浜市港北区新横浜2-5-9 新横浜フジカビル tel. 045-475-1555 fax. 045-475-3275